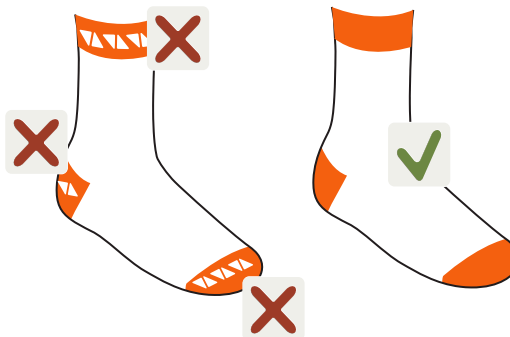


Design Guidelines.

KNITTED SOCKS

Guidelines.

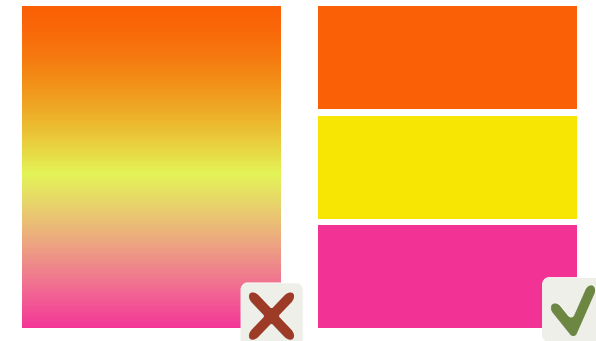
1. Knitting possibilities.



It's not possible to knit a design on the rib, heel and the toes.

We can only use solid colors here.

2. Color usage.



The usage of gradients is not possible. All our sock designs are always knitted and never digitally printed.

Only use solid colors with a maximum of 6 colors per design.

3. Details.



No detailed logo's or other figures are possible.

Always use simplified illustrations.

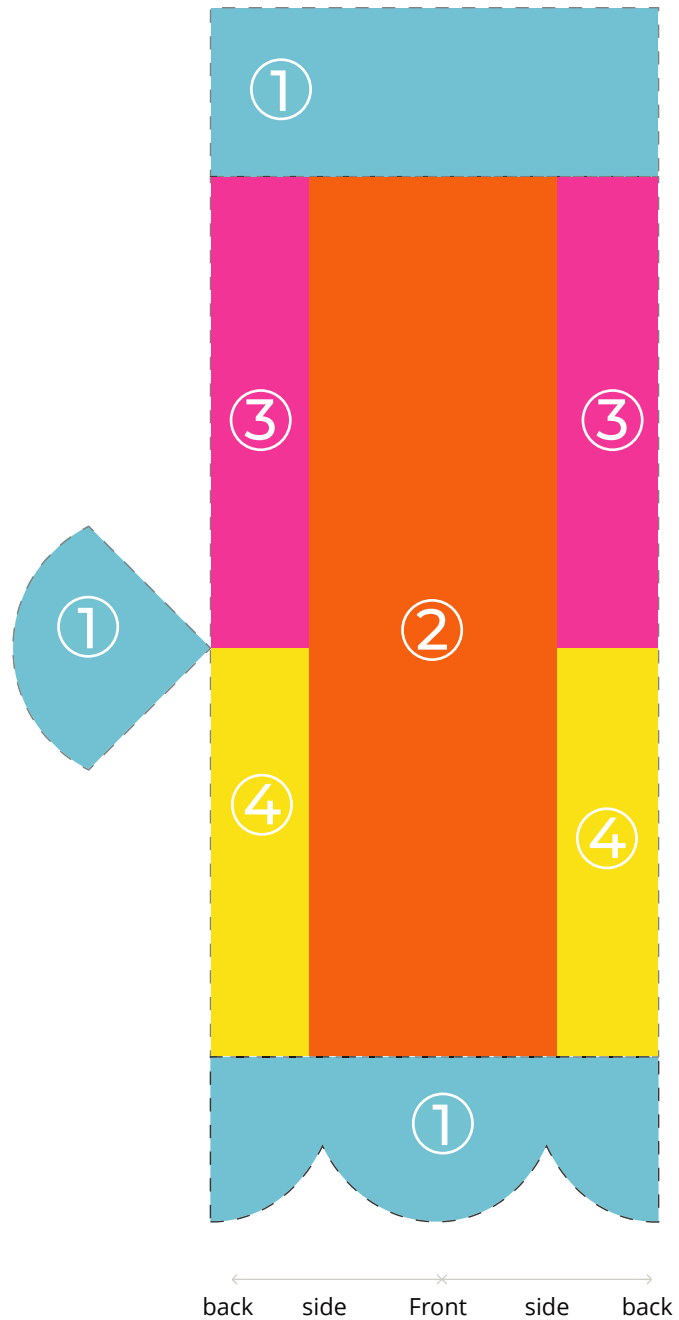
4. Text & Logo's.



Don't use handwritten fonts.

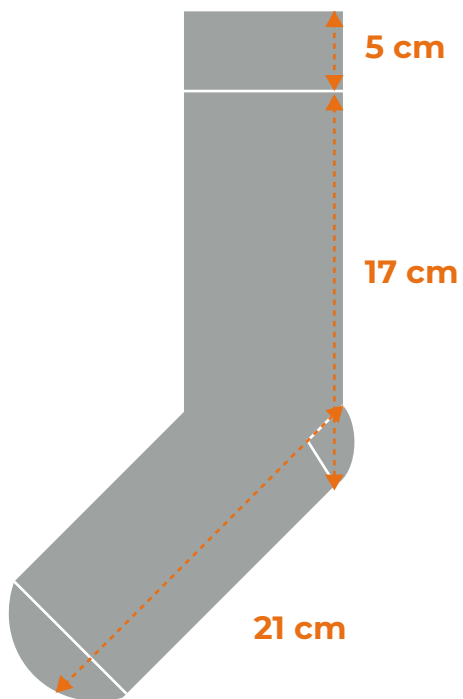
We prefer to put sans serif fonts on our socks.

Template Casual Sock.

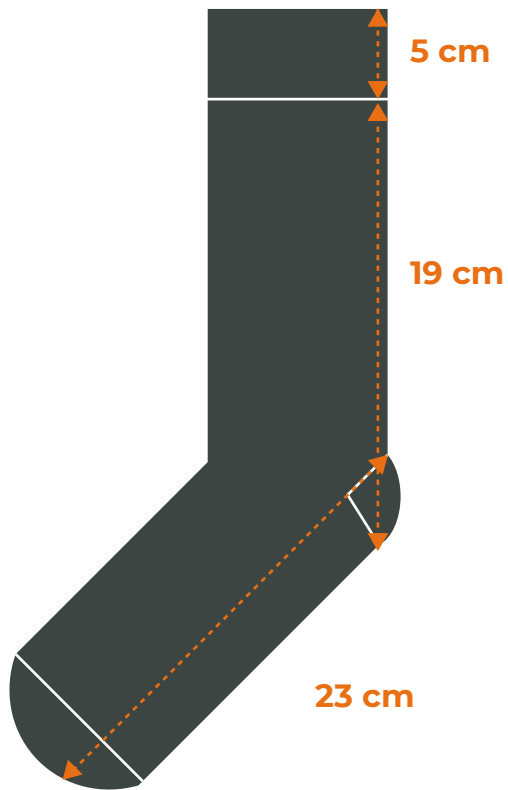


Casual Socks.

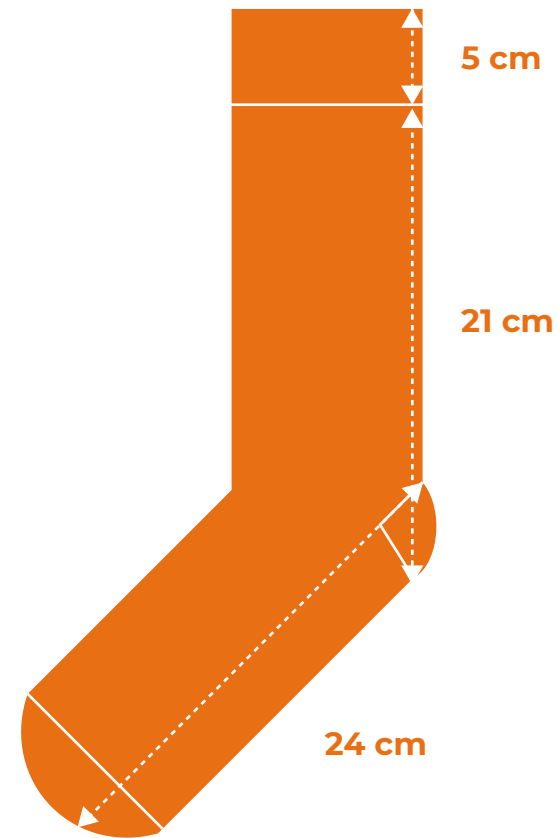
- ① TOES, HEEL AND RIB (SOLID COLOR)
- ② TOP AND FRONT OF THE SOCK
- ③ BACK OF THE SOCK
- ④ SOLE OF THE SOCK



35 - 38
REGULAR SOCKS

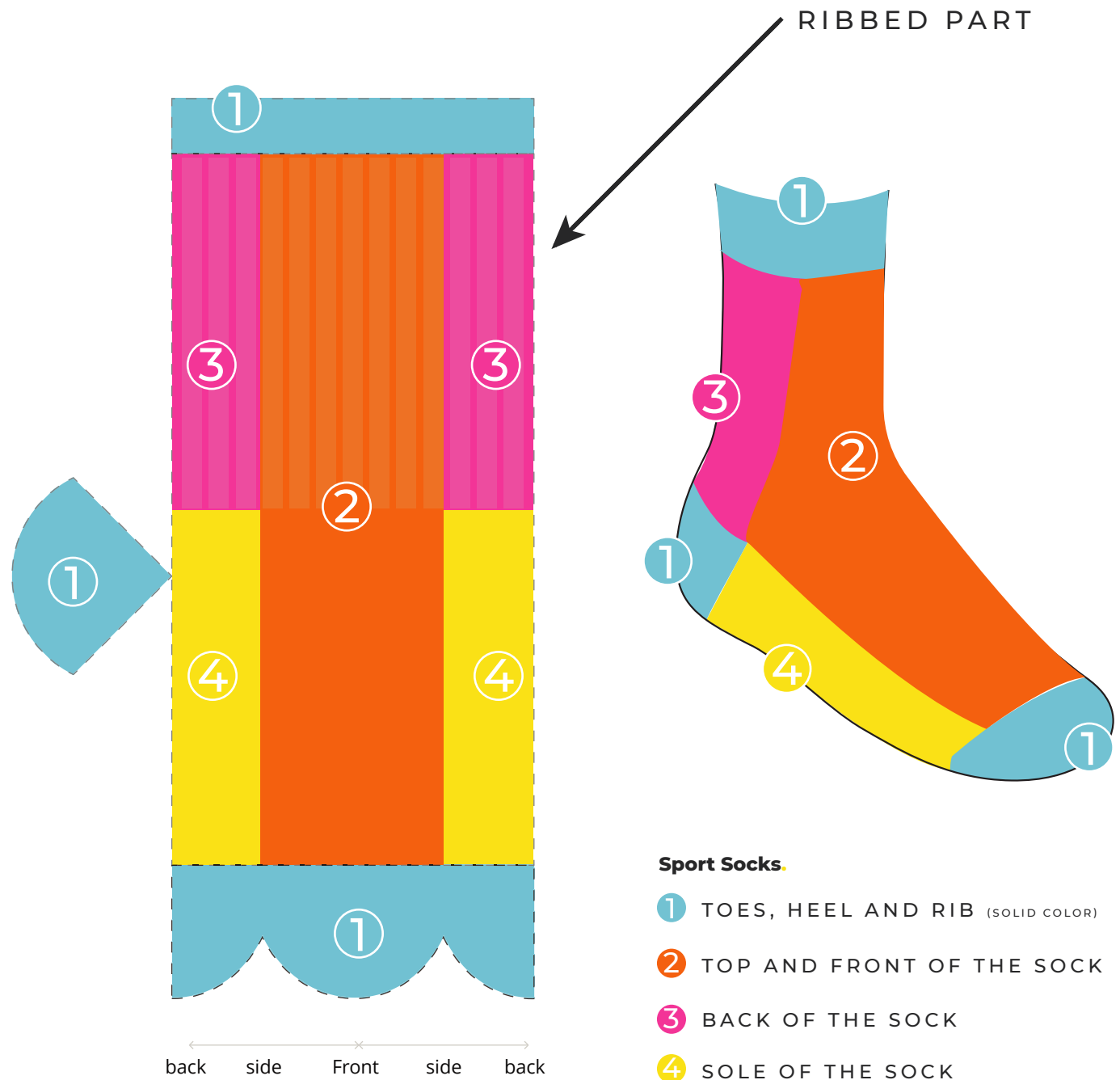


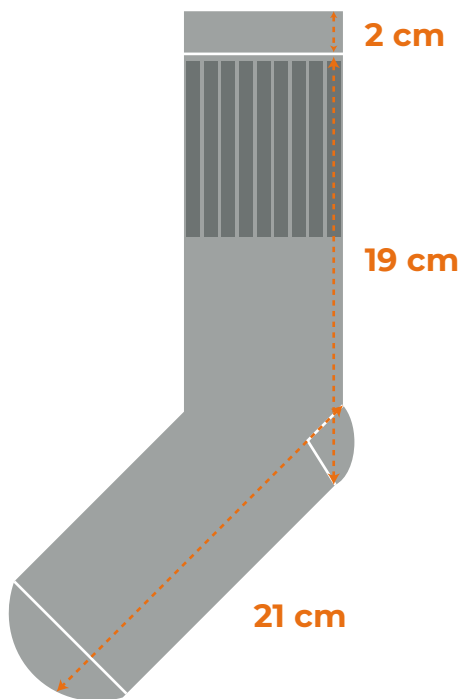
39 - 42
REGULAR SOCKS



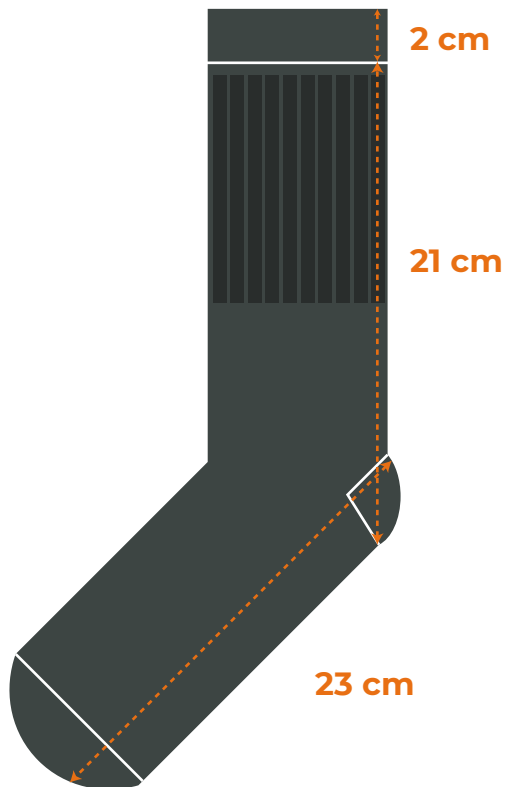
43 - 46
REGULAR SOCKS

Template Sport Sock.

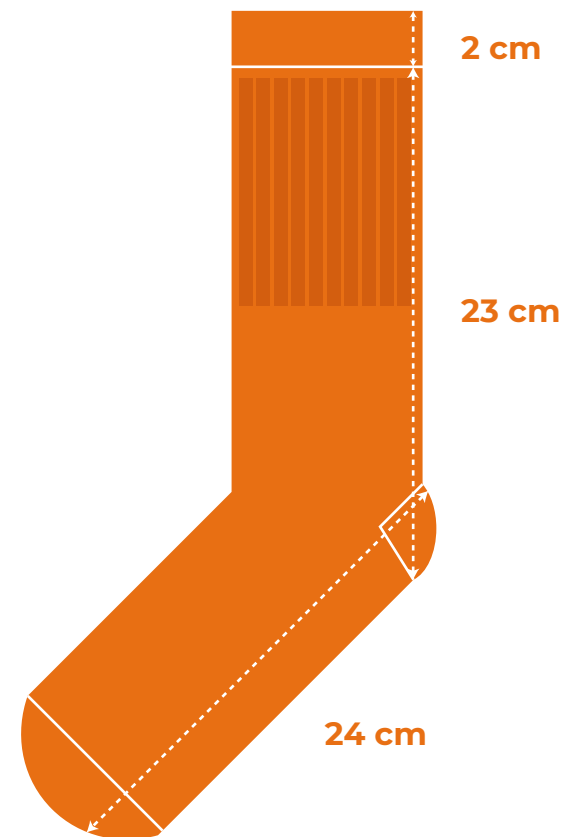




35 - 38
TENNIS SOCKS



39 - 42
TENNIS SOCKS

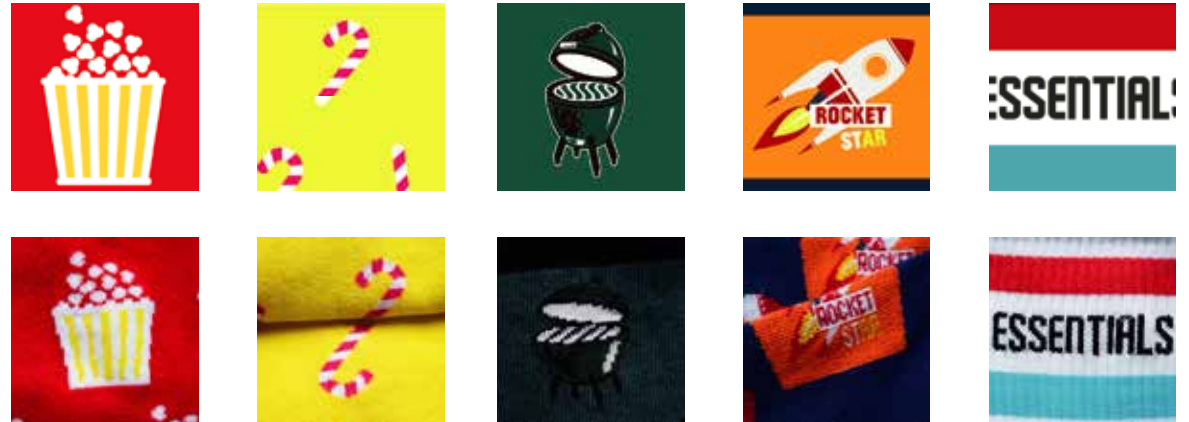


43 - 46
TENNIS SOCKS

Pixels.

Always keep in mind that there is a difference between the socks we have at our screens comparing to the knitted socks.

Below you can see the differences between digital examples and physical socks.



Every pattern is knitted pixel by pixel which means that circles and other round figures will be made out of squares.



Cardboards.

Recycled.

Recycled cardboards are printed with black ink, the weight of the paper is 350 gsm and has a structure in it.



Full Color.

Full color cardboards are printed in full color CMYK, the weight of the paper is 350 gsm and has a glossy look.



*The washing instructions always need to be on the cardboards. The socks and the cardboard are connected with a plastic wire, the sizes are stamped on the bottom of the cardboards.

